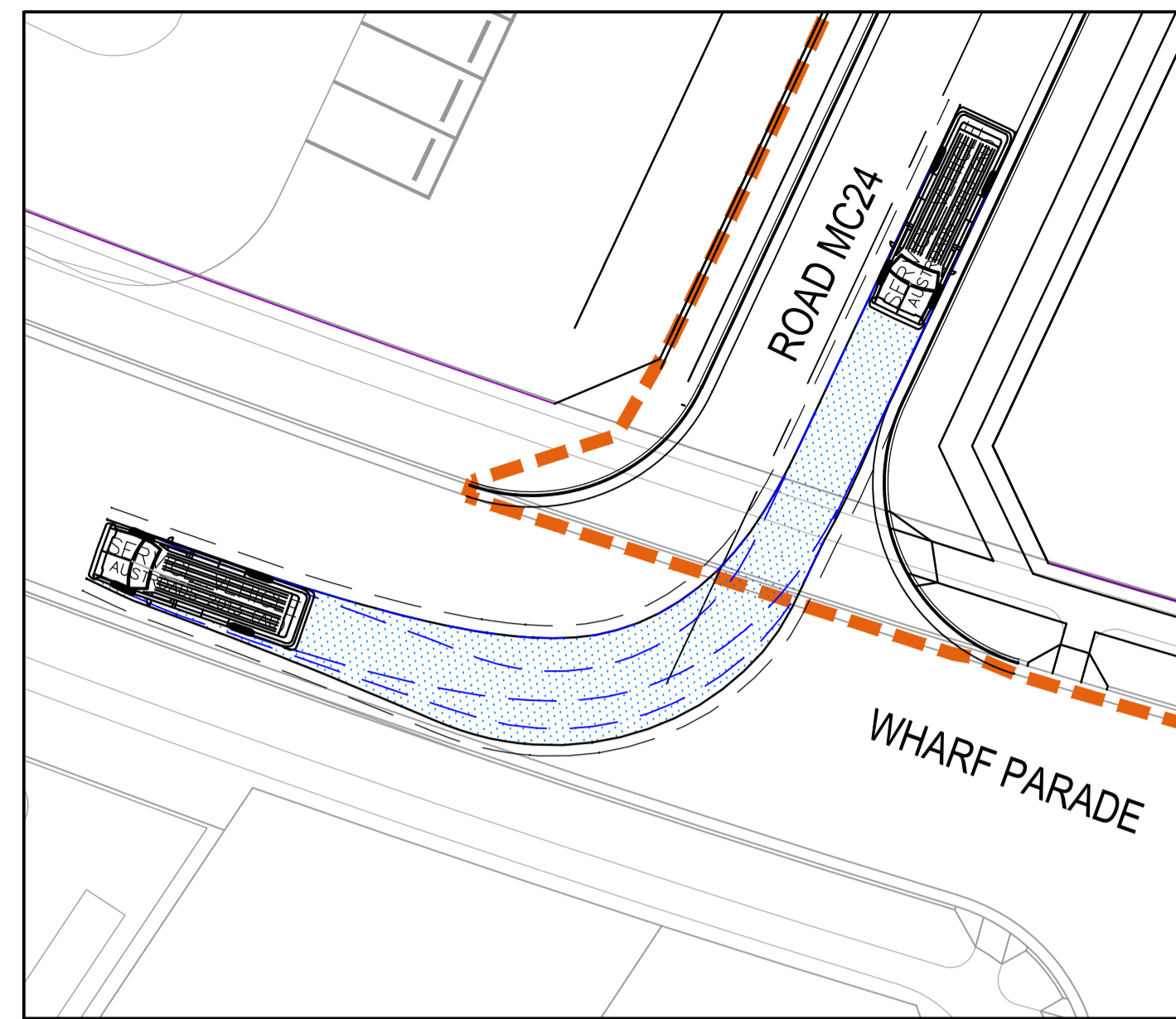
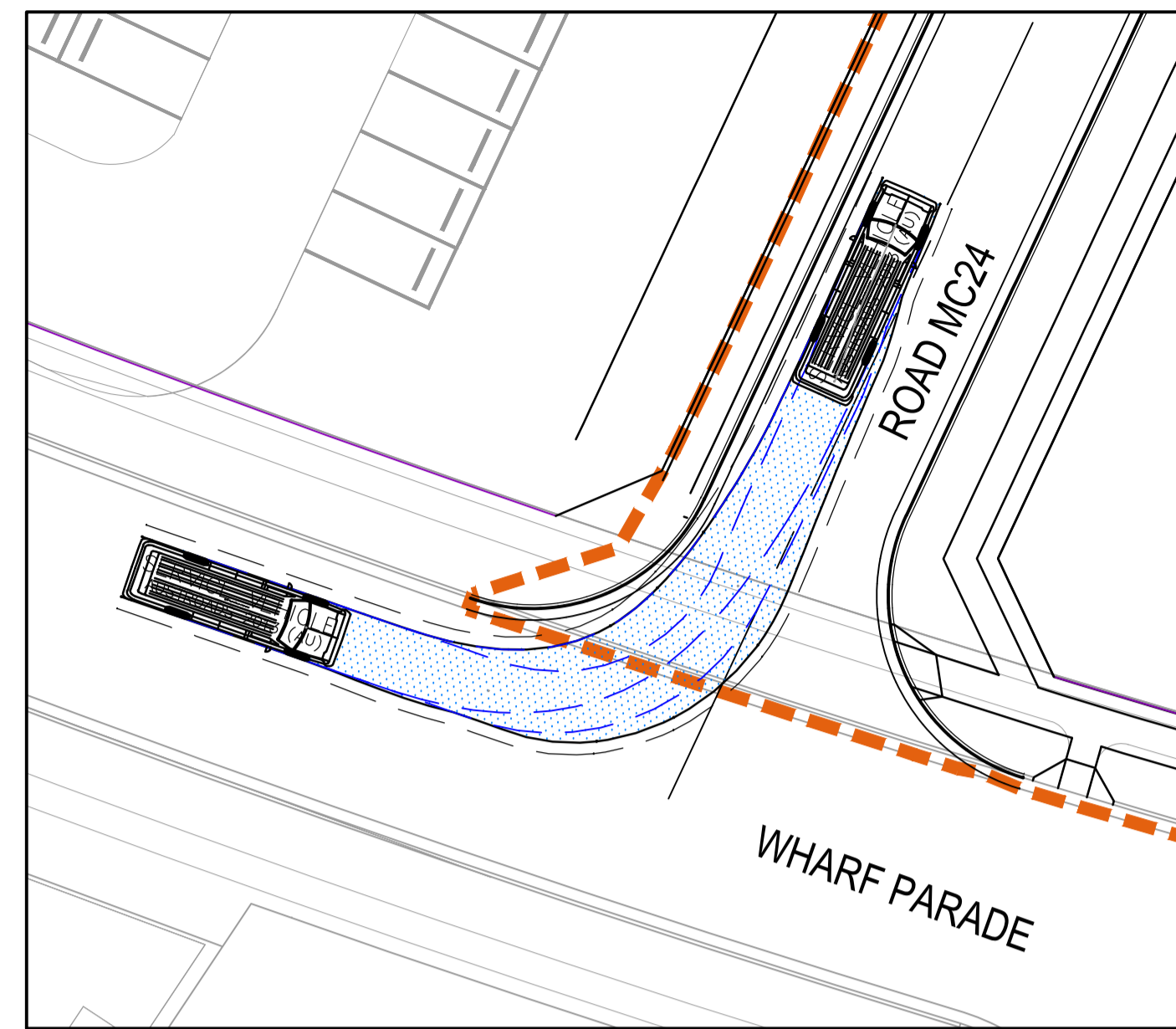


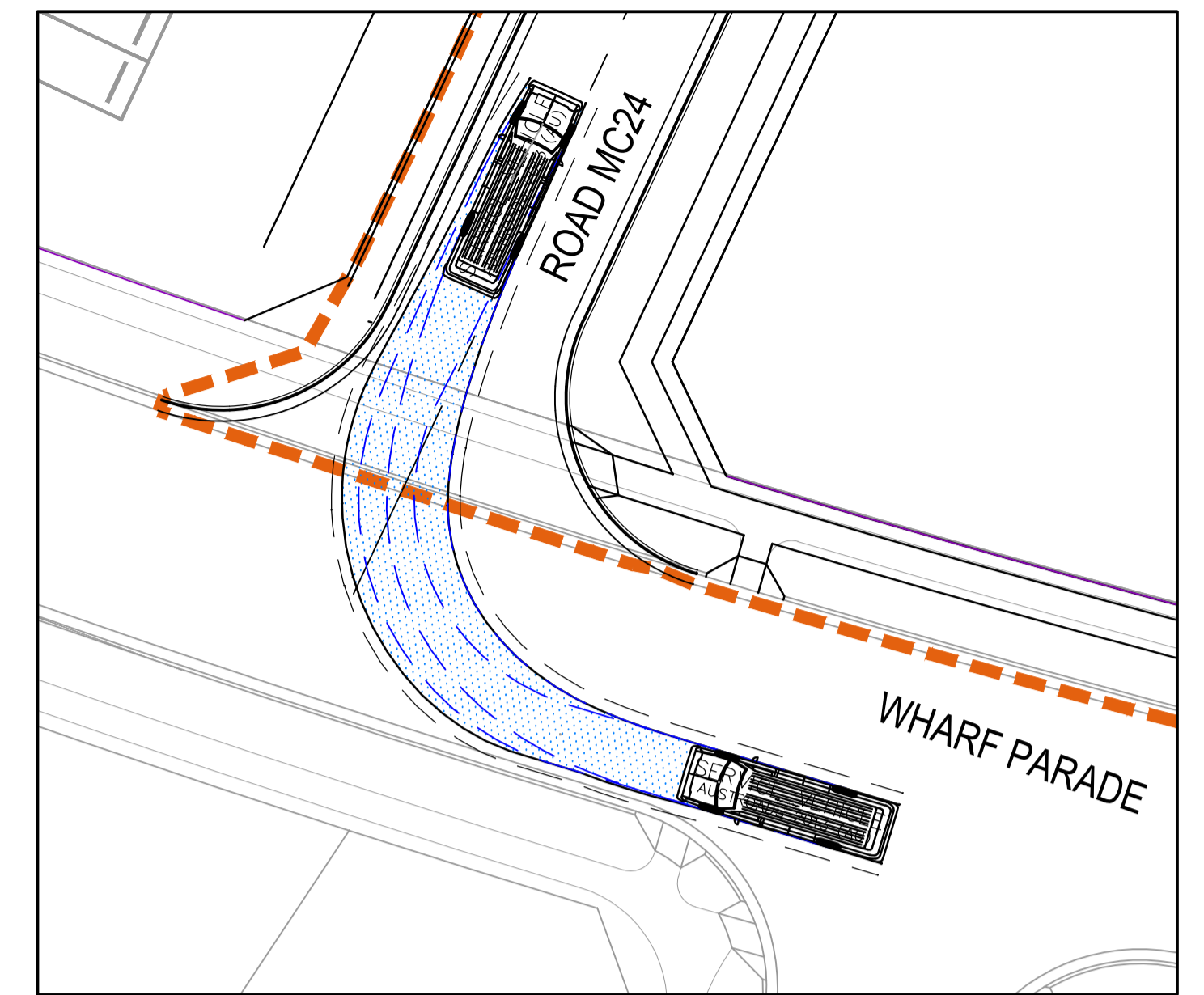
INTERSECTION 1 - ROAD MC24 - WHARF PARADE
 8.8 SERVICE VEHICLE - LEFT OUT AT 5 km/h
 SCALE 1 : 250



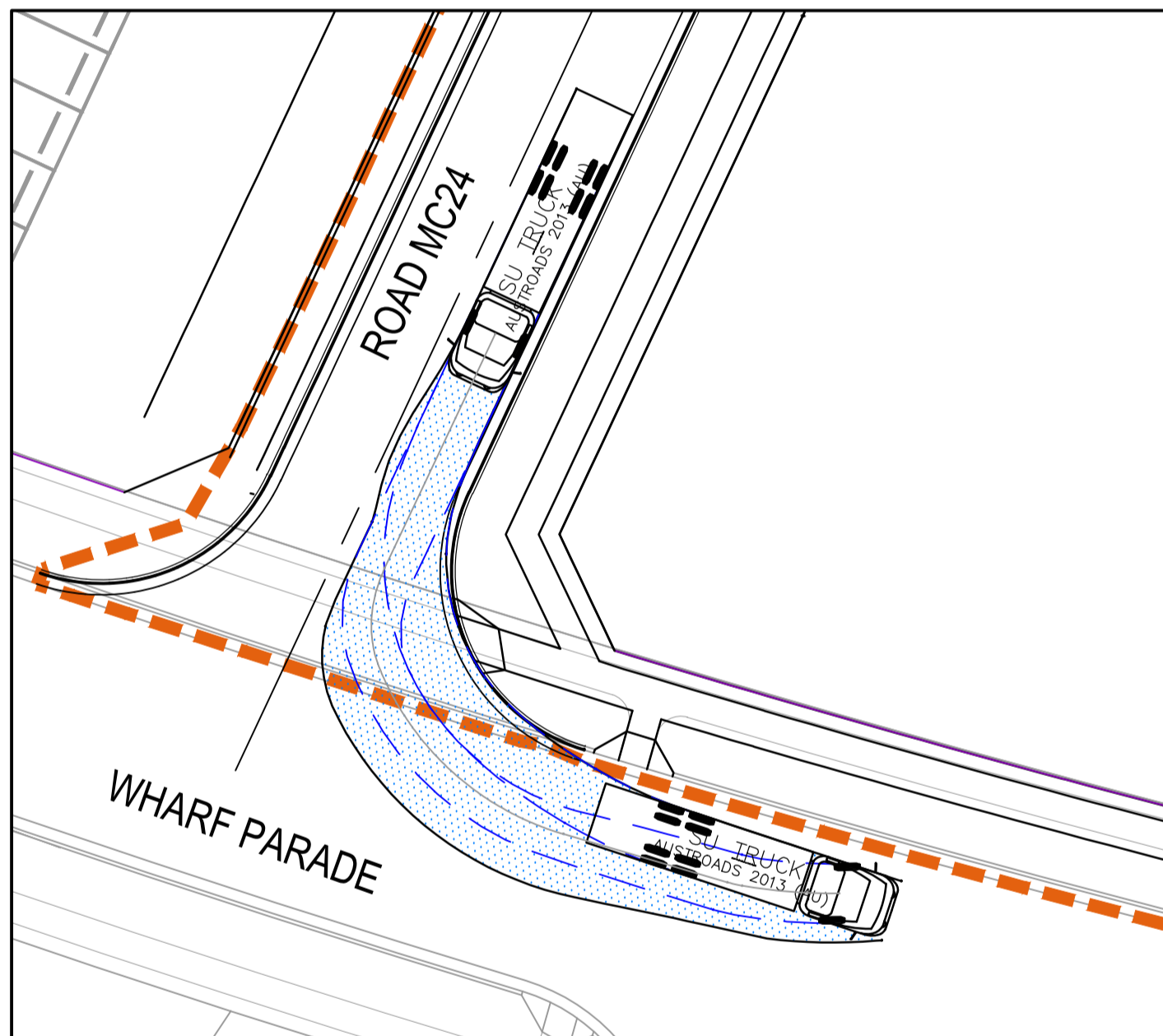
INTERSECTION 1 - ROAD MC24 - WHARF PARADE
 8.8 SERVICE VEHICLE - RIGHT OUT AT 5 km/h
 SCALE 1 : 250



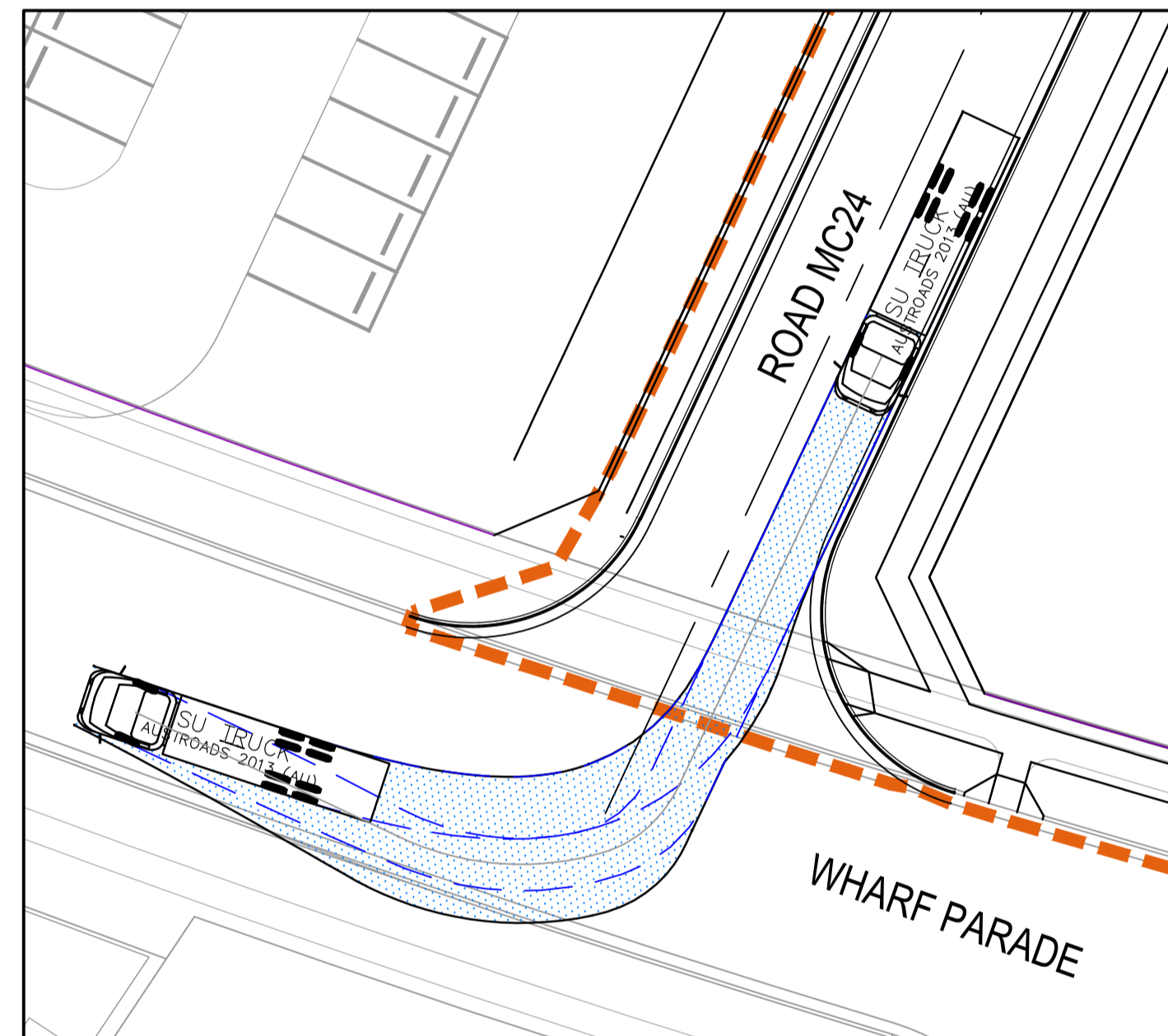
INTERSECTION 1 - ROAD MC24 - WHARF PARADE
 8.8 SERVICE VEHICLE - LEFT IN AT 5 km/h
 SCALE 1 : 250



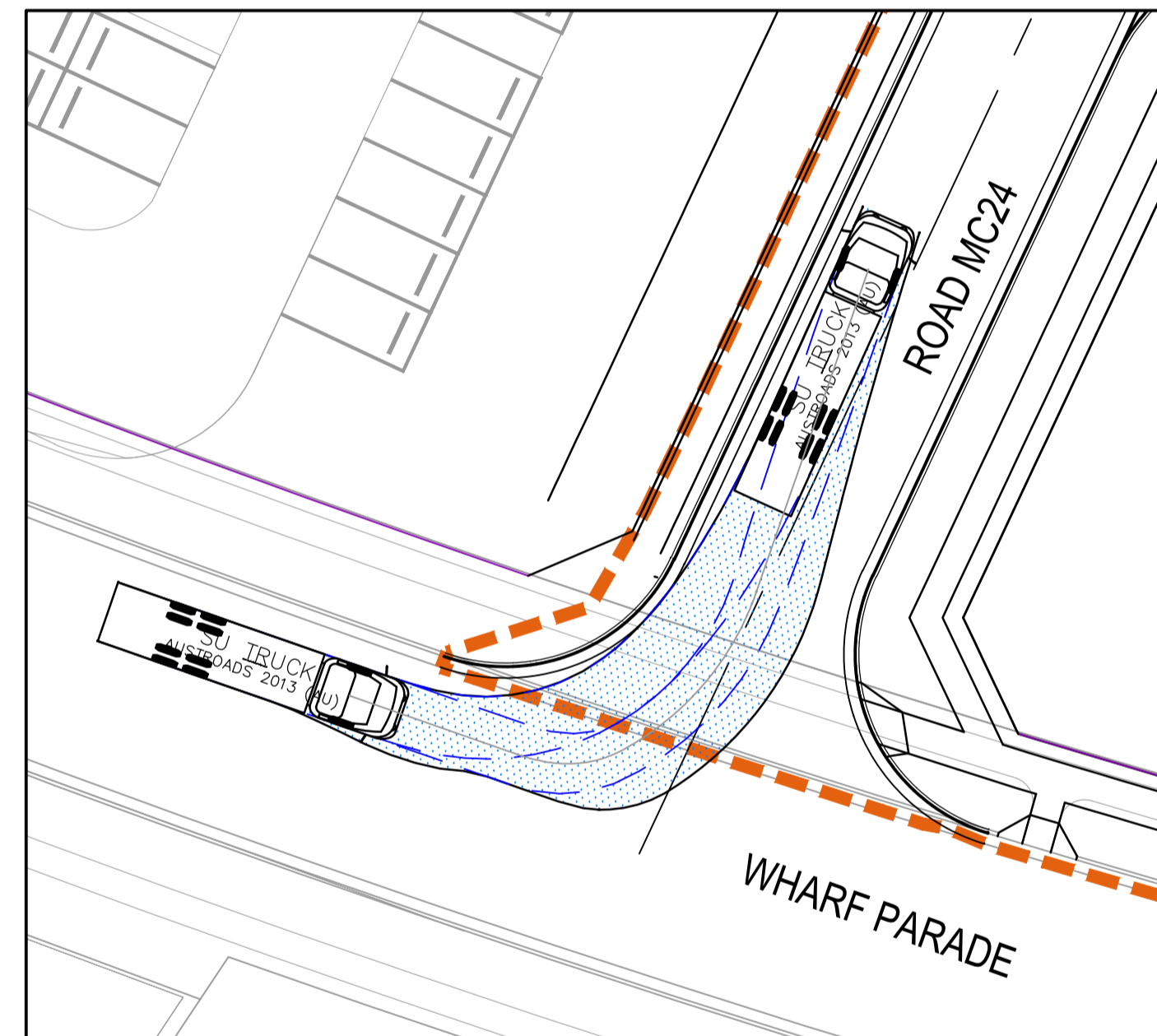
INTERSECTION 1 - ROAD MC24 - WHARF PARADE
 8.8 SERVICE VEHICLE - RIGHT IN AT 5 km/h
 SCALE 1 : 250



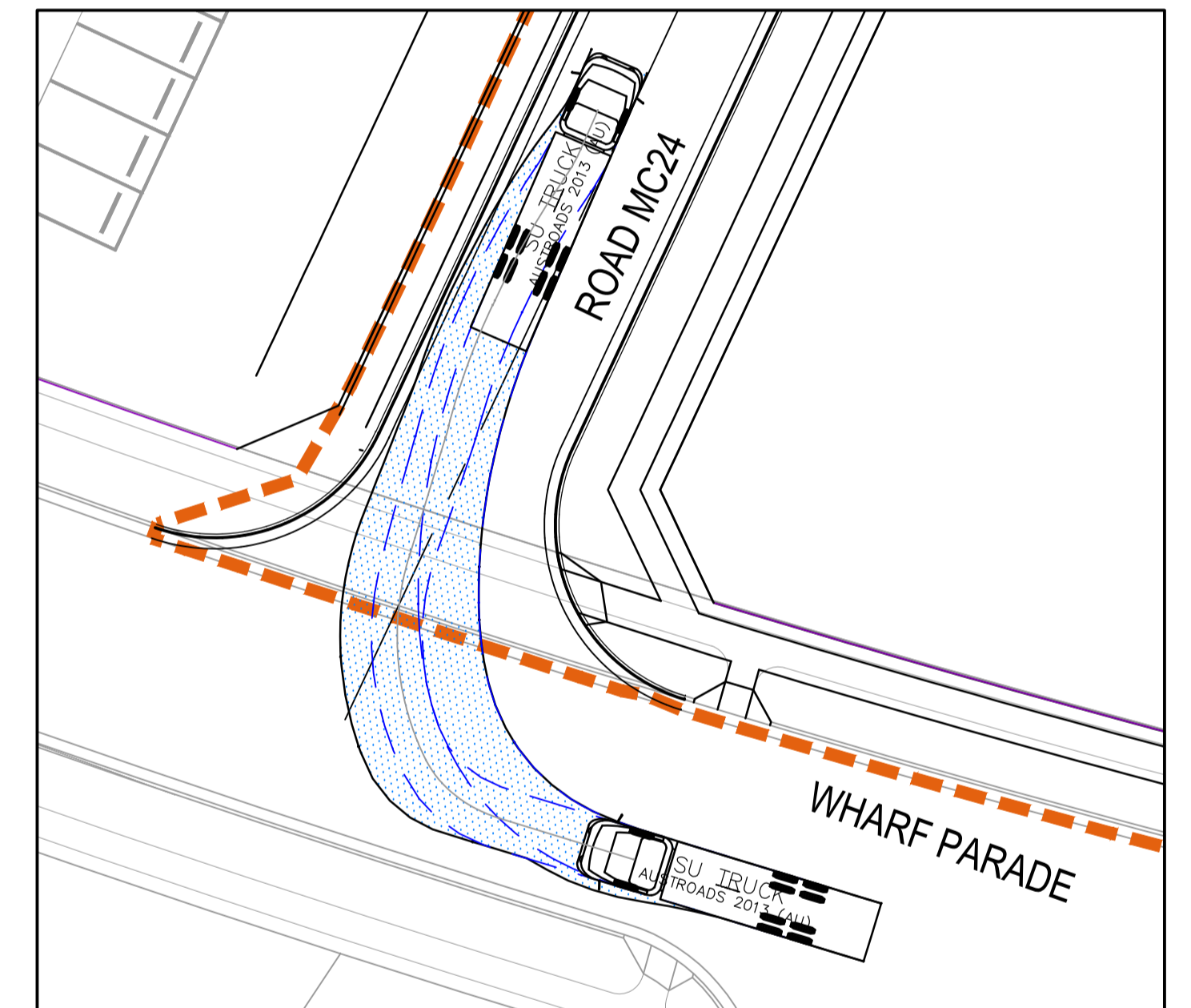
INTERSECTION 1 - ROAD MC24 - WHARF PARADE
 12.5 SU TRUCK - LEFT OUT AT 5 km/h
 SCALE 1 : 250



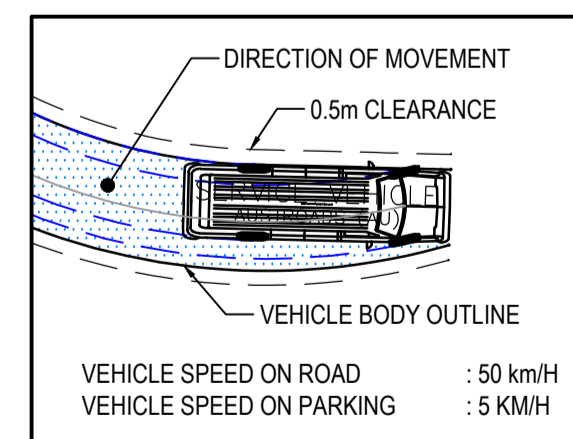
INTERSECTION 1 - ROAD MC24 - WHARF PARADE
 12.5 SU TRUCK - RIGHT OUT AT 5 km/h
 SCALE 1 : 250



INTERSECTION 1 - ROAD MC24 - WHARF PARADE
 12.5 SU TRUCK - LEFT IN AT 5 km/h
 SCALE 1 : 250



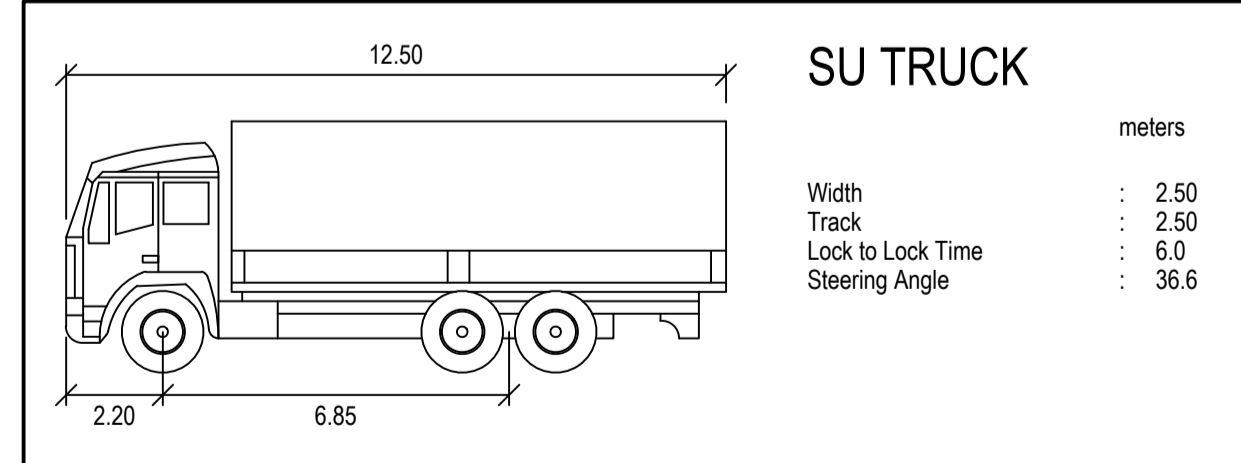
INTERSECTION 1 - ROAD MC24 - WHARF PARADE
 12.5 SU TRUCK - RIGHT IN AT 5 km/h
 SCALE 1 : 250



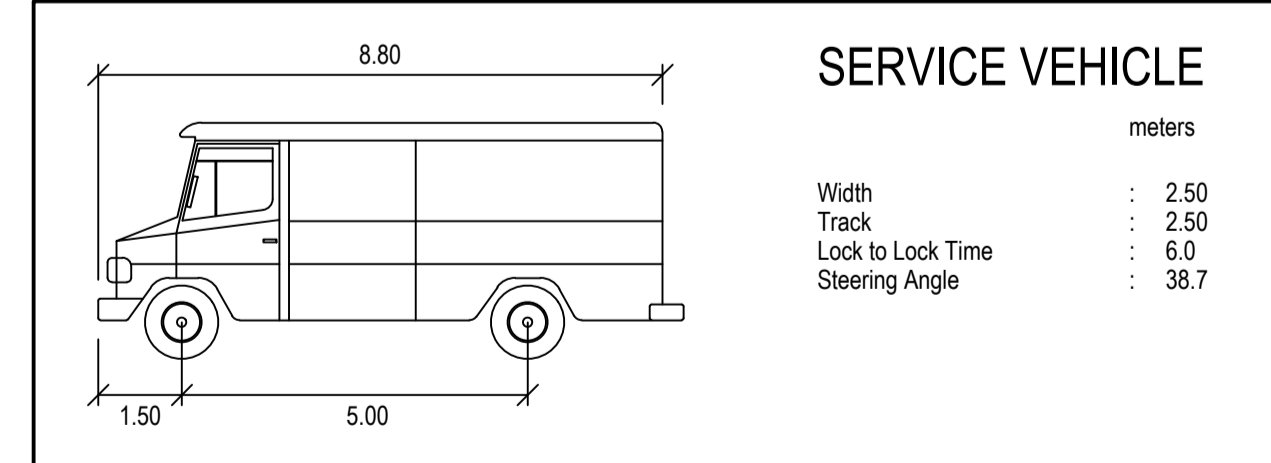
VEHICLE SPEED ON ROAD : 50 km/h
 VEHICLE SPEED ON PARKING : 5 km/h

NOTE
 REFER TO DRAWING
 C-B2C2-411 FOR LAYOUT PLAN.

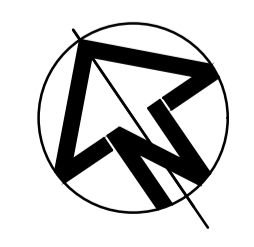
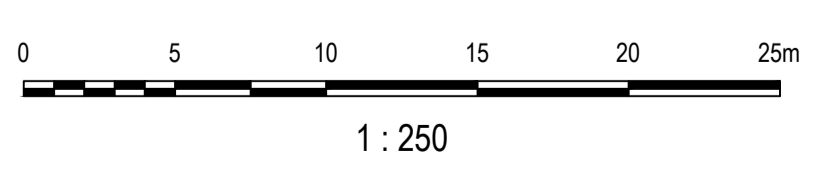
CHECK VEHICLE



DESIGN VEHICLE



Issue	Description	Date
05	UPDATED DA ISSUE	04/11/2019
04	UPDATED DA ISSUE	25/10/2019
03	UPDATED DA ISSUE	04/10/2019
02	FINAL ISSUE	10/05/2018
01	DRAFT ISSUE	10/04/2018



Client

Status	PRELIMINARY ONLY NOT TO BE USED FOR CONSTRUCTION	
Scales	1 : 250	Current Issue Signatures
Original Size	A1	Drawn A. CARDENO
Height Datum	AHD	Designed J. WOOD
Grid	MGA	Checked J. HEYDON
Filename:	C-b2c2-412-10006310-nsd-TurningPathsSheet1.dwg	

Project

**SHELL COVE
 PRECINCT B2 AND C2**

Title

**TURNING PATHS
 SHEET 1**

Arcadis Australia Pacific Pty Limited
 Level 16, 580 George Street
 SYDNEY NSW 2000
 ABN 76 104 485 289
 Tel No: +61 2 8907 9000
 Fax No: +61 2 8907 9001
 arcadis.com

Drawing No. : C-B2C2-412-10006310-05
 Project No. : 10006310
 Issue : 05